

**NEW**

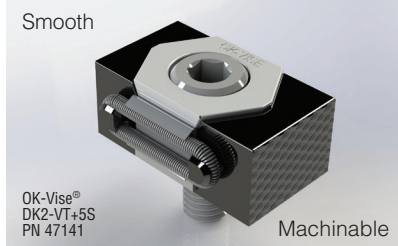
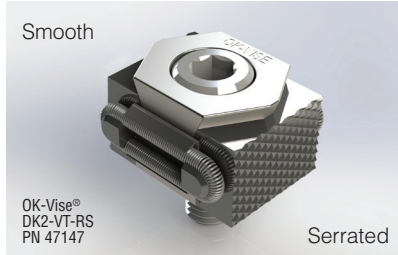
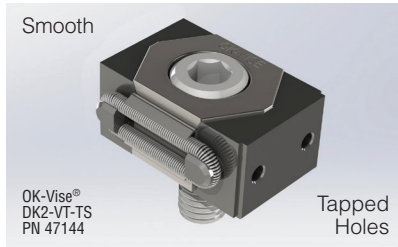
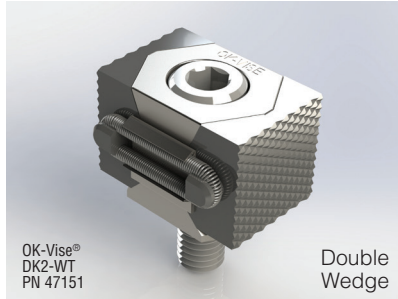
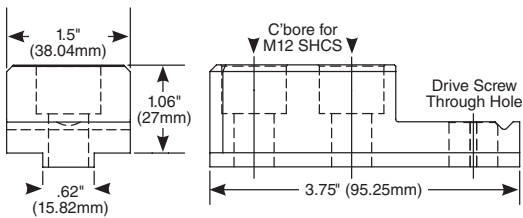
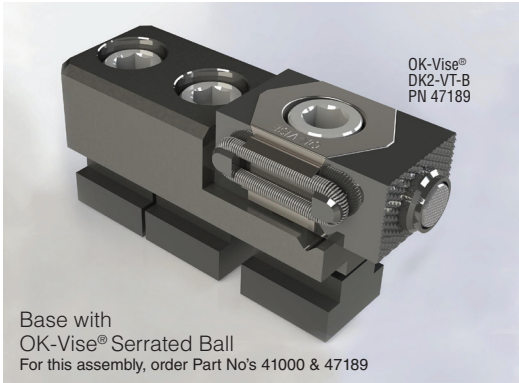
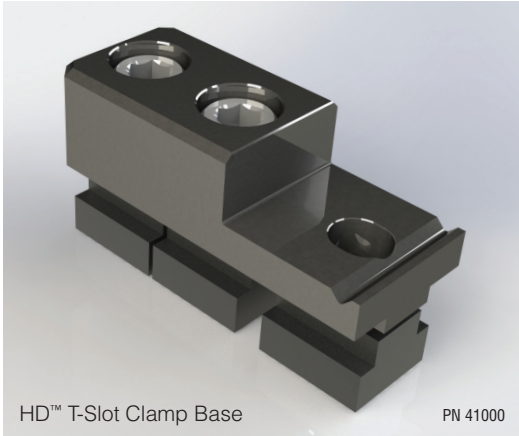
# HD™ T-SLOT CLAMP



Mitee-Bite Products introduces the Heavy Duty™ T-Slot Clamps - capable of generating over 20,000 pounds of pressure. This design utilizes some of the strongest lowest-profile clamps in the industry. The Pitbull® and OK-Vise® Clamps can be used on the same base with so many configurations you're sure to have more holding force than needed!

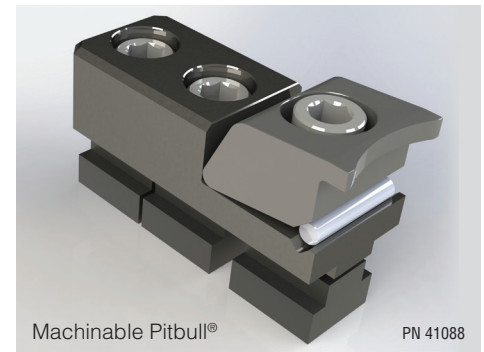
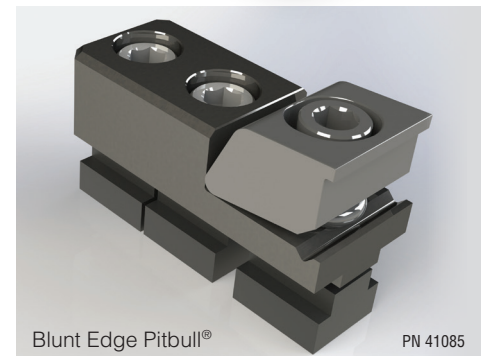
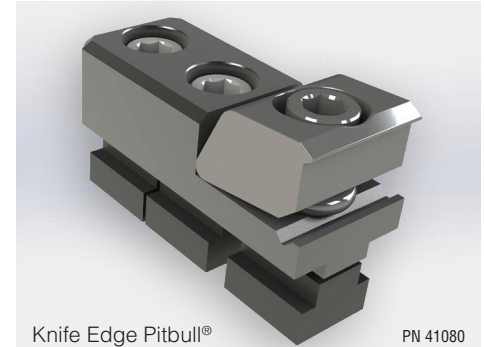
## Base and OK-Vise® Configurations

Base includes (3) 16mm tungsten carbide coated t-nuts and mounting screws. Designed to be used with all OK-Vise® DK model clamps (sold separately).



## Pitbull® Clamp\* Configurations

Includes Base, Pitbull® Clamp\*, (3) 16mm tungsten carbide coated t-nuts & mounting screws.



Part No.	Description
41000*	HD™ T-Slot Base ONLY - Order OK-Vise® Clamp separately
47131	OK-Vise® Clamp Model DK2-VT with Serrated Jaws
47132	OK-Vise® Clamp Model DK2-VT-S with Smooth Jaws
47141	OK-Vise® Clamp Model DK2-VT+5S with Machinable and Smooth Jaw
47144	OK-Vise® Clamp Model DK2-VT-TS with Tapped Holes and Smooth Jaw
47147	OK-Vise® Clamp Model DK2-VT-RS with Serrated Jaw and Smooth Jaw
47151	OK-Vise® Clamp Model DK2-WT Double Wedge with Serrated Jaws
47189	OK-Vise® Clamp Model DK2-VT-B with Serrated Ball and Smooth Jaw
41080*	HD™ T-Slot Base and M12 Knife Edge Pitbull® Clamp
41085*	HD™ T-Slot Base and M12 Blunt Edge Pitbull® Clamp
41088*	HD™ T-Slot Base and M12 Machinable Pitbull® Clamp

\*T-nuts and M12 mounting screws included.

## REPLACEMENT T-NUTS

Part No.	Description	T-Slot Size	Per Pack
41016	Carbide coated M12 T-nut	16mm	2/pk

## REPLACEMENT PITBULL® CLAMPS\*

Part No.	Description	Per Pack
56080	Pitbull® Clamp Knife Edge Tool Steel	2/pk
56085	Pitbull® Clamp Blunt Edge Tool Steel	2/pk
56088	Pitbull® Clamp Machinable Tool Steel	2/pk

\*NOTE: Clamp contact surfaces have option of application of Texture Grip Tungsten Carbide Coating. For more information, search "Tungsten Carbide" on our website - [MiteeBite.com](http://MiteeBite.com).